



Posidonia

PTW[®]



PTW[®] High Holding Power Anchor

High Holding Power anchors allow a weight reduction of 25% compared to an ordinary anchor

The only one made in Italy by qualified workers

Made of certified high tensile steel plates

Available in fully balanced or non balanced version

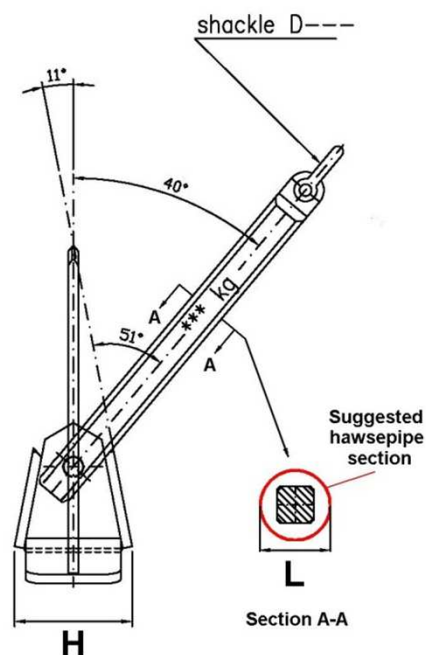
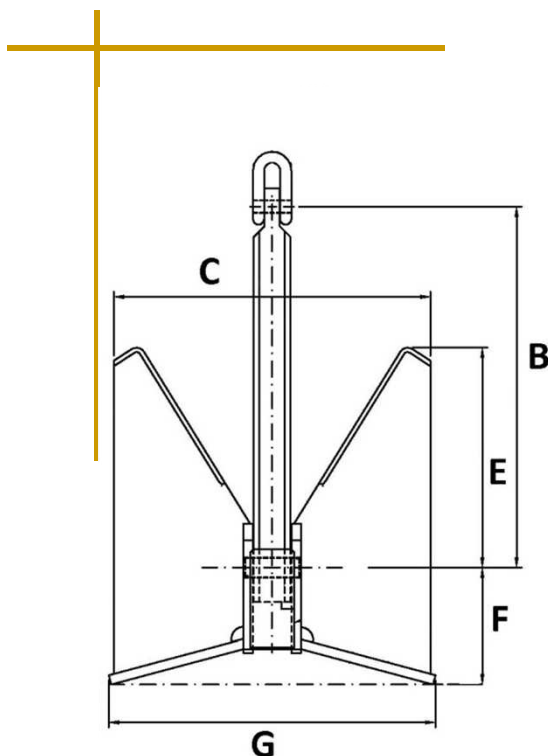
10% shortened shank possible

Type approved by most important classification societies

Available in hot dip galvanized execution, special stainless steel DUPLEX[®], electro-polished and super passivated



PTW[®] High holding power anchor



PTW[®]



Posidonia

PTW[®]

High Holding Power Anchor

Weight	B	G	C	E	F	H	L	Weight	B	G	C	E	F	H	L
Kg	mm	mm	mm	mm	mm	mm	mm	Kg	mm	mm	mm	mm	mm	mm	mm
12	340	313	310	200	120	105	67	1.710	1.774	1.637	1.621	1.045	628	549	348
16	374	345	342	220	132	116	73	1.845	1.819	1.679	1.663	1.072	644	563	357
20	403	372	368	237	143	125	79	1.980	1.863	1.719	1.702	1.098	659	576	365
24	428	395	391	252	151	132	84	2.115	1.904	1.757	1.740	1.122	674	589	373
32	471	435	430	278	167	146	92	2.140	1.912	1.764	1.747	1.127	677	591	375
40	507	468	464	299	180	157	99	2.295	1.957	1.805	1.788	1.153	693	605	384
45	528	487	482	311	187	163	103	2.475	2.007	1.851	1.834	1.183	710	621	393
48	539	497	493	318	191	167	106	2.655	2.054	1.895	1.877	1.211	727	635	403
60	581	536	531	342	206	180	114	2.840	2.101	1.938	1.920	1.238	744	650	412
80	639	590	584	377	226	198	125	3.040	2.149	1.983	1.964	1.266	761	665	421
90	665	613	608	392	235	206	130	3.240	2.195	2.025	2.006	1.294	777	679	430
105	700	646	640	412	248	217	137	3.440	2.239	2.066	2.047	1.320	793	693	439
120	732	675	669	431	259	226	143	3.670	2.288	2.111	2.091	1.348	810	708	449
125	742	684	678	437	263	229	145	3.950	2.345	2.164	2.143	1.382	830	725	460
136	763	704	697	450	270	236	150	4.000	2.355	2.173	2.152	1.388	834	728	462
145	779	719	712	459	276	241	153	4.210	2.395	2.210	2.189	1.412	848	741	470
160	805	743	736	475	285	249	158	4.500	2.449	2.260	2.238	1.443	867	758	480
180	838	773	765	494	297	259	164	4.840	2.509	2.315	2.293	1.479	888	776	492
200	868	800	793	511	307	268	170	4.950	2.528	2.333	2.311	1.490	895	782	496
225	902	832	825	532	319	279	177	5.175	2.566	2.367	2.345	1.512	908	794	503
240	922	851	843	543	326	285	181	5.515	2.621	2.418	2.395	1.545	928	811	514
270	959	885	876	565	339	297	188	5.575	2.630	2.427	2.404	1.550	931	814	516
280	970	895	887	572	344	300	190	5.850	2.673	2.466	2.443	1.575	946	827	524
315	1.009	931	922	595	357	312	198	6.225	2.729	2.518	2.494	1.608	966	844	535
360	1.055	974	964	622	374	326	207	6.525	2.772	2.558	2.533	1.634	981	858	544
400	1.093	1.008	999	644	387	338	214	6.600	2.783	2.567	2.543	1.640	985	861	546
430	1.120	1.033	1.023	660	396	346	220	6.975	2.834	2.615	2.590	1.670	1.003	877	556
480	1.161	1.072	1.062	684	411	359	228	7.015	2.840	2.620	2.595	1.673	1.005	879	557
495	1.173	1.083	1.072	692	415	363	230	7.425	2.894	2.670	2.645	1.705	1.025	895	567
520	1.193	1.101	1.090	703	422	369	234	7.875	2.951	2.723	2.697	1.739	1.045	913	579
560	1.223	1.128	1.117	721	433	378	240	8.325	3.006	2.774	2.748	1.772	1.064	930	590
585	1.241	1.145	1.134	731	439	384	243	8.775	3.060	2.823	2.796	1.803	1.083	947	600
600	1.251	1.154	1.143	737	443	387	245	9.225	3.111	2.870	2.843	1.833	1.101	962	610
640	1.278	1.179	1.168	753	453	395	251	9.675	3.161	2.916	2.889	1.863	1.119	978	620
675	1.301	1.201	1.189	767	461	403	255	10.125	3.209	2.961	2.933	1.891	1.136	993	629
700	1.317	1.215	1.204	776	466	407	258	10.575	3.256	3.004	2.976	1.919	1.153	1.007	638
720	1.330	1.227	1.215	784	471	411	261	10.695	3.268	3.016	2.987	1.926	1.157	1.011	641
750	1.348	1.244	1.232	794	477	417	264	10.800	3.279	3.025	2.997	1.932	1.161	1.014	643
765	1.357	1.252	1.240	800	480	420	266	11.025	3.302	3.046	3.017	1.946	1.169	1.021	647
800	1.377	1.271	1.259	812	488	426	270	11.250	3.324	3.067	3.038	1.959	1.177	1.028	652
855	1.408	1.299	1.287	830	498	436	276	11.550	3.353	3.094	3.065	1.976	1.187	1.037	657
900	1.432	1.321	1.309	844	507	443	281	11.850	3.382	3.120	3.091	1.993	1.197	1.046	663
970	1.468	1.355	1.342	865	520	454	288	12.075	3.403	3.140	3.110	2.006	1.205	1.053	667
1.080	1.522	1.404	1.391	897	539	471	298	12.525	3.445	3.179	3.149	2.030	1.220	1.066	675
1.140	1.550	1.430	1.416	913	549	479	304	12.675	3.459	3.191	3.161	2.038	1.224	1.070	678
1.195	1.574	1.452	1.439	928	557	487	309	13.200	3.506	3.235	3.204	2.066	1.241	1.085	687
1.250	1.598	1.474	1.460	942	566	494	313	13.350	3.519	3.247	3.216	2.074	1.246	1.089	690
1.305	1.621	1.496	1.482	955	574	502	318	13.875	3.565	3.289	3.258	2.101	1.262	1.103	699
1.440	1.675	1.546	1.531	987	593	518	328	14.100	3.584	3.307	3.275	2.112	1.269	1.109	703
1.520	1.706	1.574	1.559	1.005	604	528	334	15.000	3.658	3.375	3.344	2.156	1.295	1.132	717
1.575	1.726	1.592	1.577	1.017	611	534	338	15.575	3.705	3.418	3.386	2.183	1.312	1.146	726

