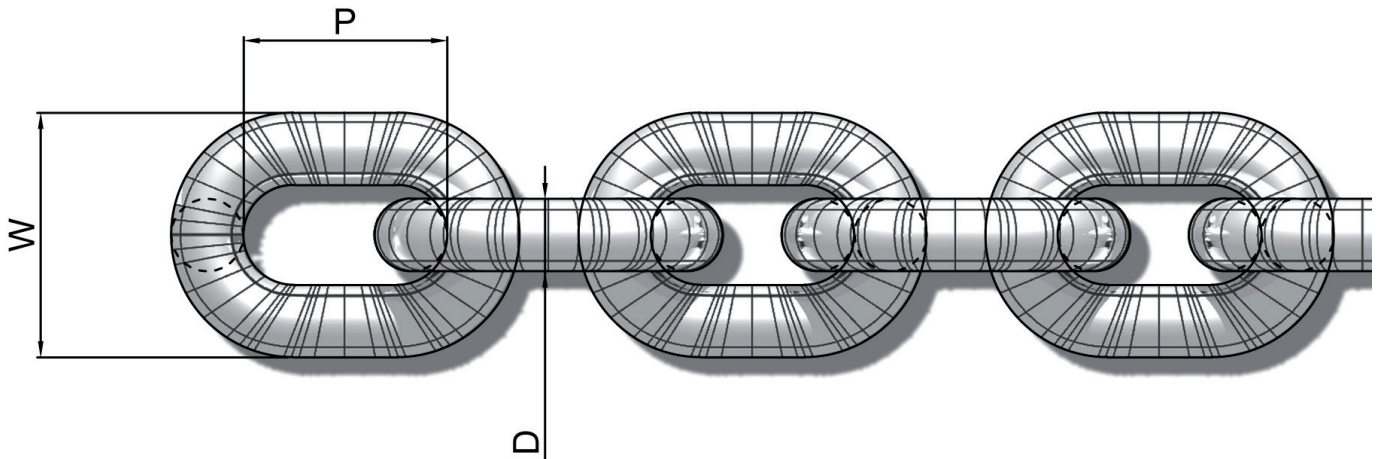


Posidonia

MOORING AND TOWING MARINE EQUIPMENT

Studless link Chains

DIN 766 link, for barbotins, not for lifting purposes, hot dip galvanised and stainless steel AISI 316



Diameter D Mm	Pitch P Mm	External Width W Mm	Pitch Tolerance On 11 Links Mm	Breaking Load KN	Weight Per M Kg
6	18,5	20	+1,5/-0,5	16	0,8
8	24	26	+1,5/-0,5	32	1,4
10	28	34	+2,5/-0,5	50	2,2
10	30 !!	34	+2,5/-0,5	50	2,2
12	36	40	+2,5/-0,5	63	3,1
13	36	44	+2,5/-0,5	80	3,8
14	42	46	+3,8/-1,3	100	4,4
16	45	54	+3,8/-1,3	125	5,7
18	50	60	+3,8/-1,3	160	7,3

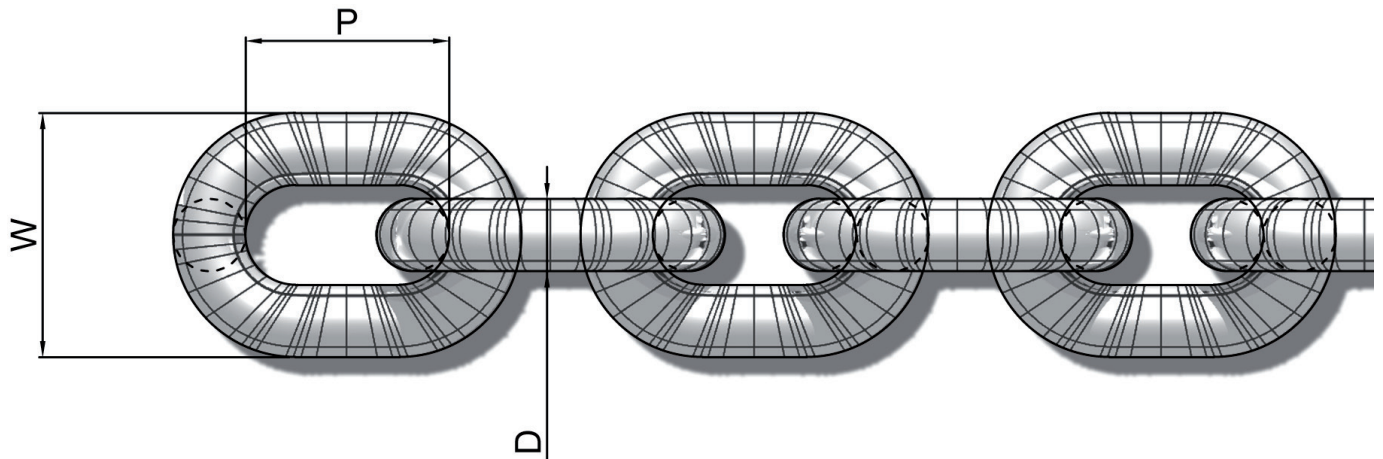
VOLUME OF ANCHOR CHAIN

The volume of anchor chain to be stored in the chain locker can be estimated at approximately 0,5 cubic metres per metric ton of chain (6 cubic ft per 1000 lbs)

CONTACT US FOR A QUOTATION posidonia@posidonia.com

Studless link Chains

DIN 764 Genovese link, for permanent moorings and fenders holding, not for lifting purposes, hot dip galvanised and stainless steel AISI 316



Diameter D Mm	Pitch P Mm	External Width W Mm	Pitch Tolerance On 11 Links Mm	Breaking Load KN	Weight Per M Kg
4	16	14	+1,6 - 0,9	7	0,3
5	18	17	+1,8 - 1,0	11,8	0,5
6	21	20	+2,0 - 1,1	16,5	0,7
8	28	26	+2,20 - 1,20	32	1,3
10	35	34	+2,70 - 1,50	50	2,1
12	42	40	+3,20 - 1,80	70	2,3
13	45	44	+3,50 - 2,00	80	3,5
14	49	46	+3,80 - 2,00	92	4,1
16	56	54	+4,30 - 2,50	125	5,2
18	63	60	+4,70 - 2,80	160	6,5
20	70	66	+5,40 - 3,20	200	8,2
22	80	77	+6,20 - 3,50	250	9,9
26	91	87	+7,00 - 4,00	320	14,0
28	98	95	+8,00 - 4,50	380	16,3
30	105	101	+8,00 - 4,60	415	19,0
32	115	112	+9,00 - 5,00	520	21
33	115	112	+9,00 - 5,00	520	21,3

VOLUME OF ANCHOR CHAIN

The volume of anchor chain to be stored in the chain locker can be estimated at approximately 0,5 cubic metres per metric ton of chain (6 cubic ft per 1000 lbs)

CONTACT US FOR A QUOTATION posidonia@posidonia.com