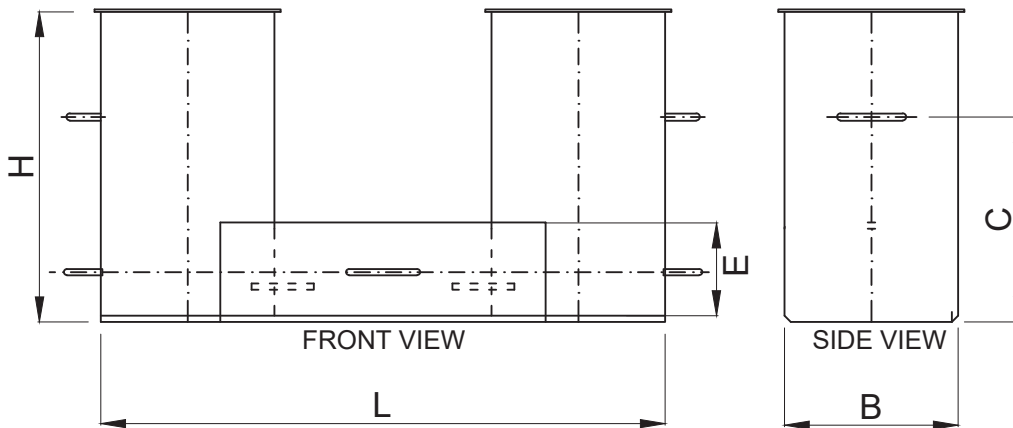


Double Bollards



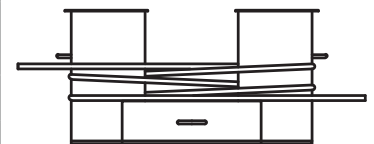
Certifications:



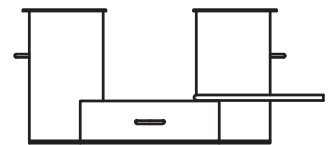
Custom:

We can design, create and certify a CUSTOM Double Bollard for you!

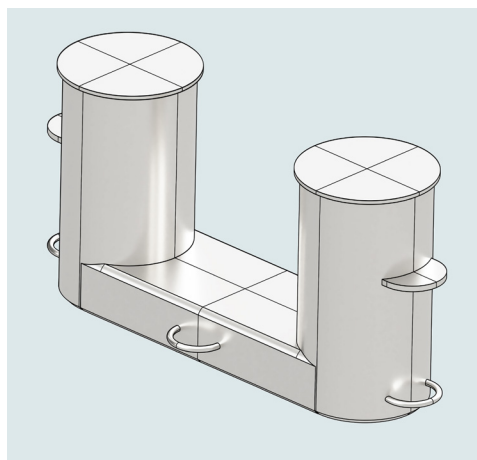
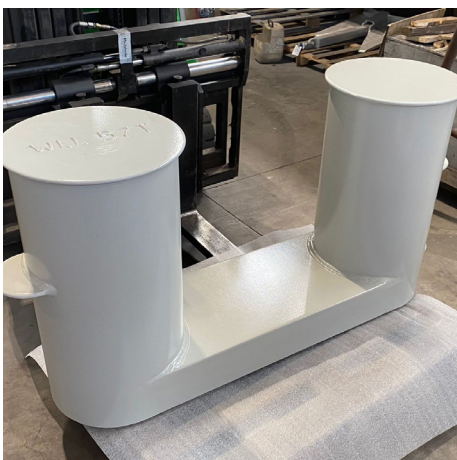
Nominal size	B	L	H		C	E	Mooring	Towing	Weight
			h min	h max			SWL (tons)	KGs	
125	140	455	250	422	165	80	18	36	26
160	168	568	300	486	195	90	21	42	37
200	219	719	400	682	250	100	34	68	75
250	273	903	500	886	315	125	43	86	124
315	324	1124	600	972	375	150	67	134	230
350	356	1296	650	1058	405	160	73	146	280
400	406	1406	700	1136	425	175	83	166	356
500	508	1758	850	1370	525	200	142	284	723
630	610	2180	1000	1558	615	225	172	344	1085
710	711	2461	1100	1776	675	250	228	456	1535



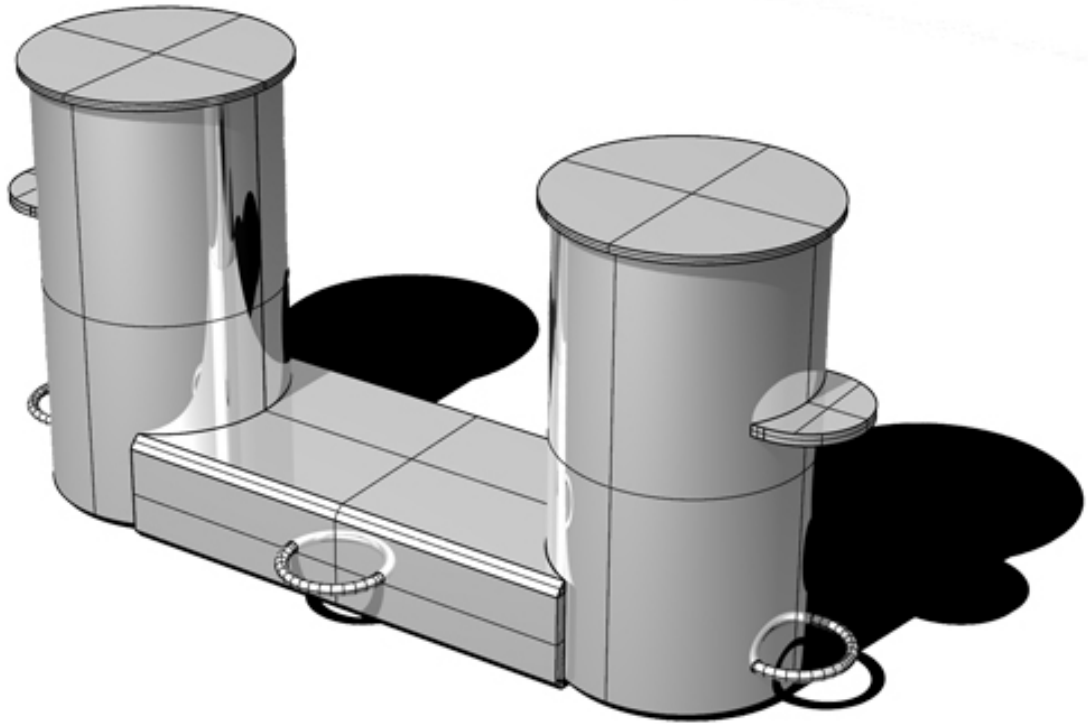
MOORING (CABLE LOAD = SWL)
Cable wond in "figure of 8" and positioned under the separator



TOWING (CABLE LOAD = 2 SWL)
Cable end eye positioned on one bollard only



The Posidonia double bollards with the highest SWL in the world



Size 350 (pipe diameter)

Mooring SWL:

Posidonia 73T
ISO 13795:45T

+62% compared to ISO

Towing SWL:

Posidonia 146T
ISO 13795:85T

+71% compared to ISO

Weight:

Posidonia: 275Kg
ISO 13795: 431Kg

-36% compared to ISO

Height of the pipes:

Posidonia: up to 1058mm
ISO 13795: 685mm

+54% compared to ISO

RINA APPROVED